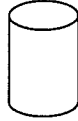
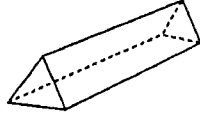
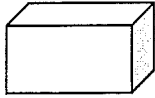
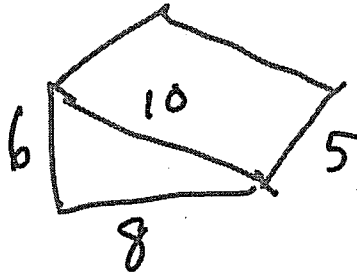
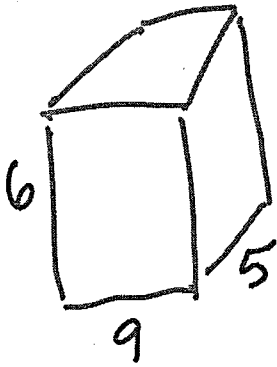
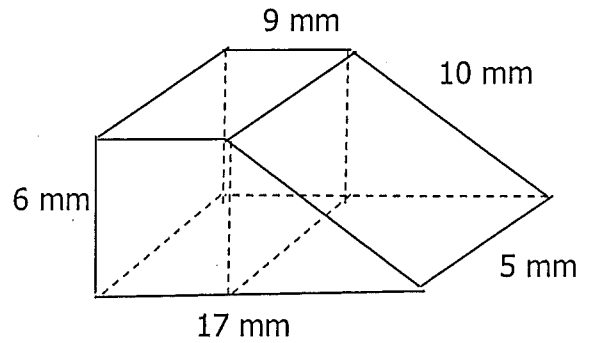
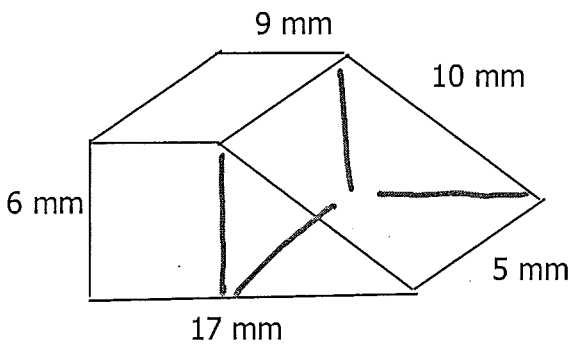
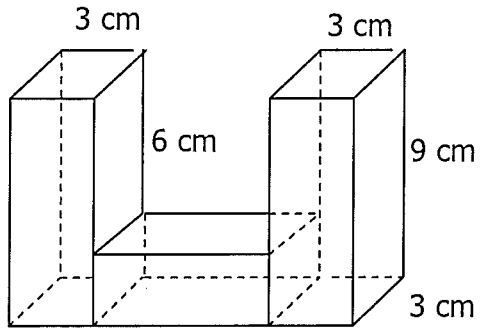


Composite 3-D shapes are made up of the following prisms

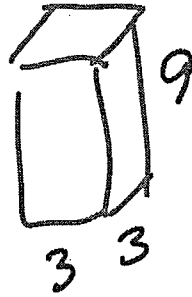
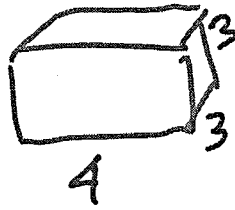
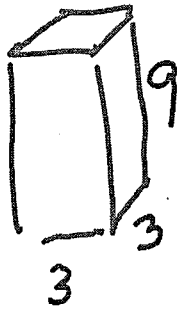


Decompose the following shapes





← 10 cm →



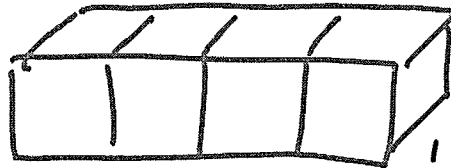
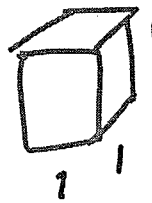
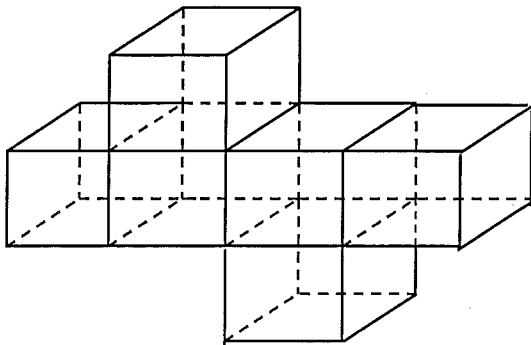
Into how many different shapes can the following be decomposed?

a) 2

b) 3

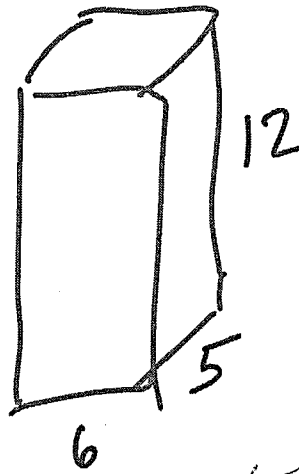
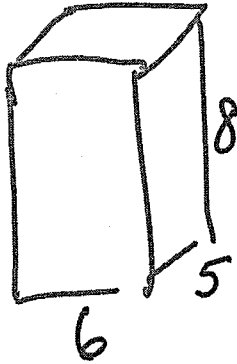
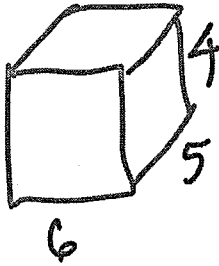
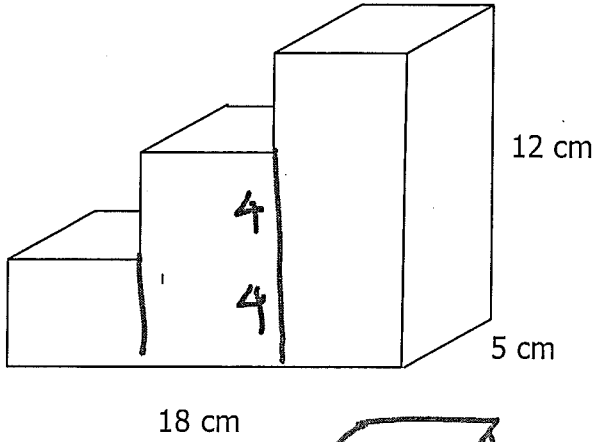
c) 4

d) 5



4

These steps are equal in width and height



PG 160 #1a, 2b, 3a, 4, 6, 7, 9