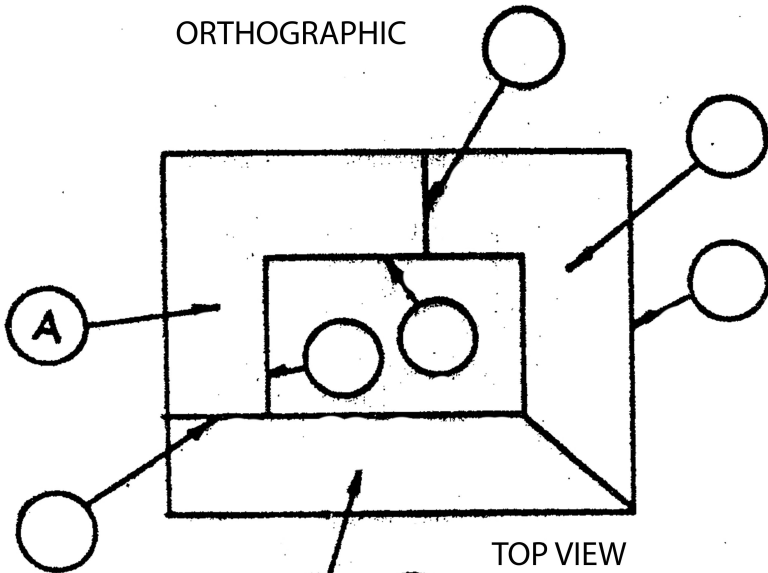
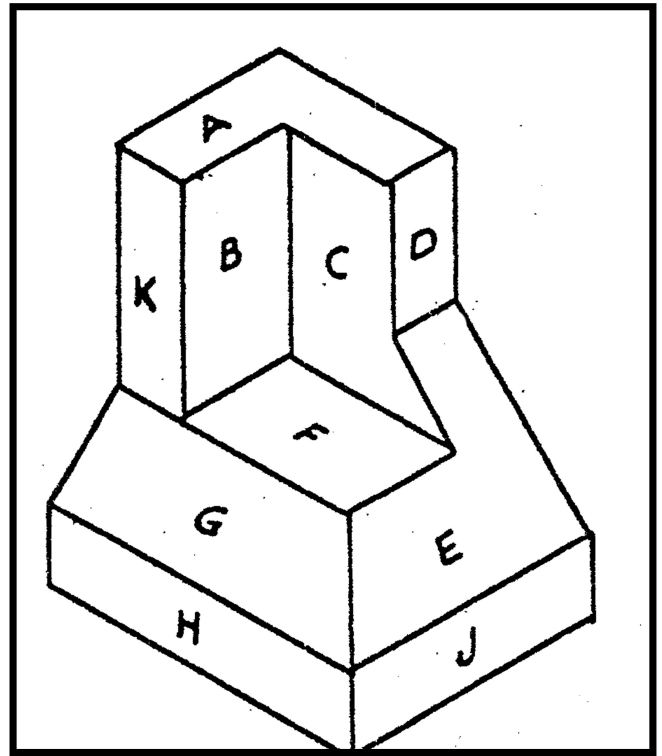


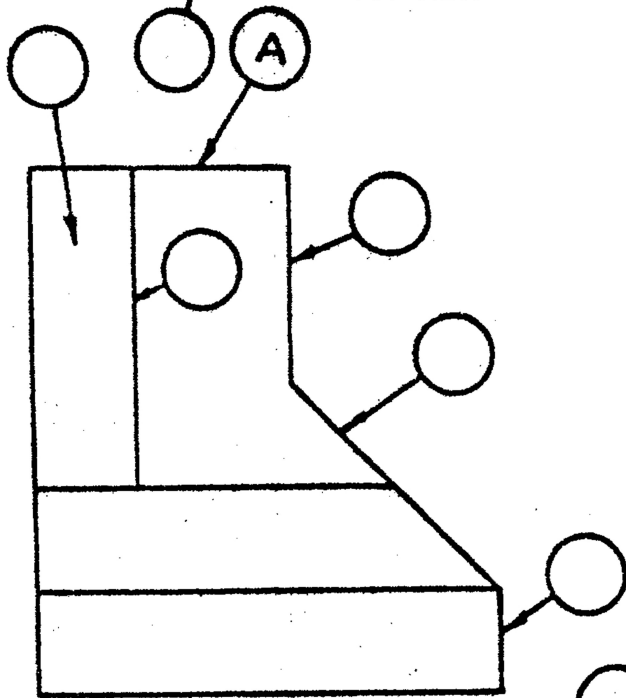
Fill in the bubbles on the ORTHOGRAPHIC drawing to match the correct face on the ISOMETRIC drawing

ISOMETRIC

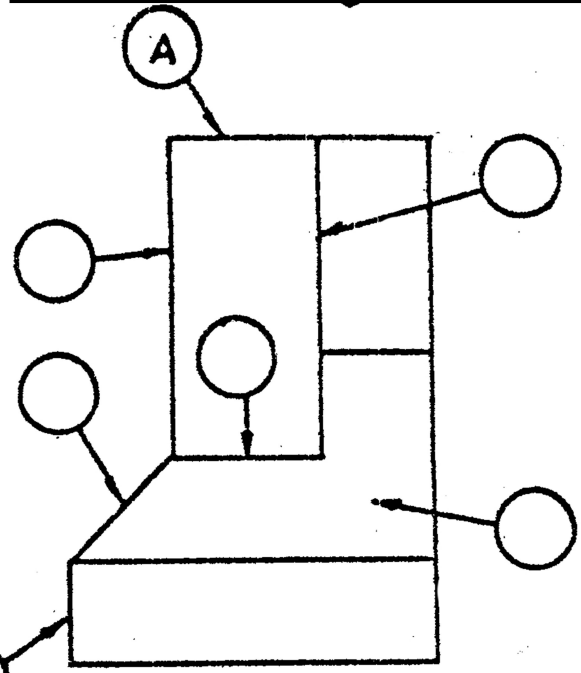
ORTHOGRAPHIC



TOP VIEW



FRONT VIEW



RIGHT SIDE VIEW