

3rd (and last) Sketching Skill Builder

Sketch all four of the following sectionals.

Enlarge them approx. 1/2 a page each. (See textbook pg 190 for actual drawings)

Do not include any dimensions, centre lines, etc.

However, include all shadows and hatching.

This is your summary project for sketching. Make sure you take the time necessary to show all your sketching skills.

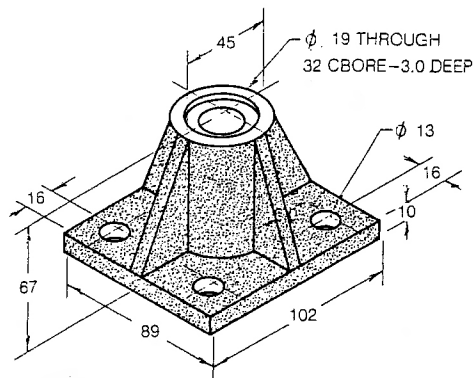


Fig. 9-58 Base plate. Scale: full size or as assigned. Material: cast iron.

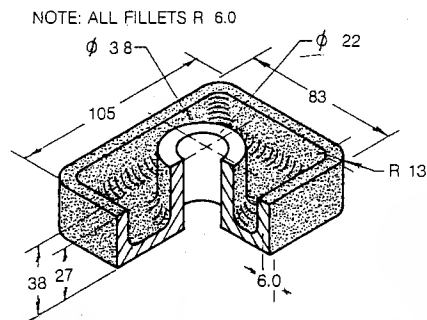


Fig. 9-59 Shaft base. Scale: full size or as assigned. Material: cast iron.

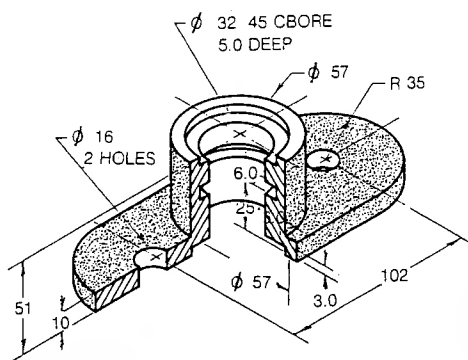


Fig. 9-61 Lever bracket. Scale: full size or as assigned. Material: cast iron.

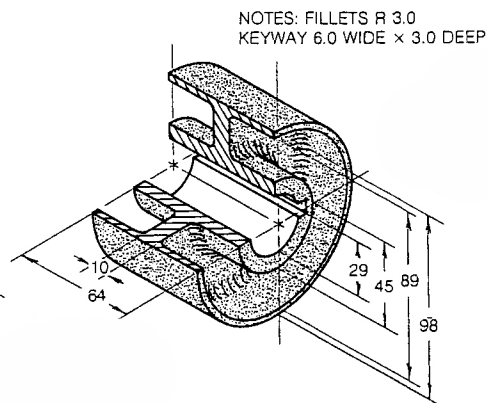


Fig. 9-62 Idler pulley. Scale: full size or as assigned. Material: cast iron.